



Codice / Code / Code / Kode / Código

9828093480|00

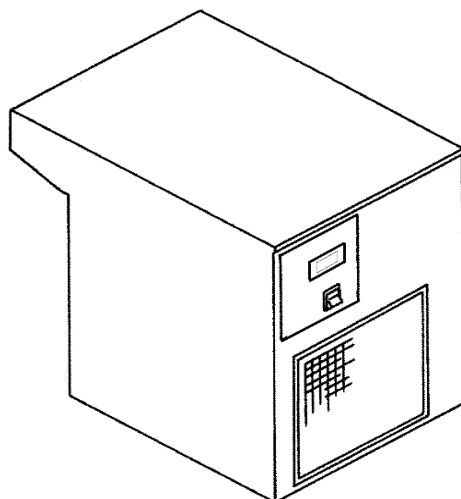
Edizione / Edition / Edition /
Ausgabe / Edición

03/2021

CATALOGO RICAMBI
SPARES PARTS LIST
CATALOGUE PIECES DETACHEES
ERSATZTEILKATALOG
CATÁLOGO DE PIEZAS DE RECAMBIO

APX 4 (E0) - APX 6 (E1) - APX 9 (E2) - APX 12 (E3) - APX 18 (E4)

ESSICCATORE D'ARIA
AIR DRYER
SECHEUR D'AIR
LUFTTROKNER
SECADOR DE AIRE

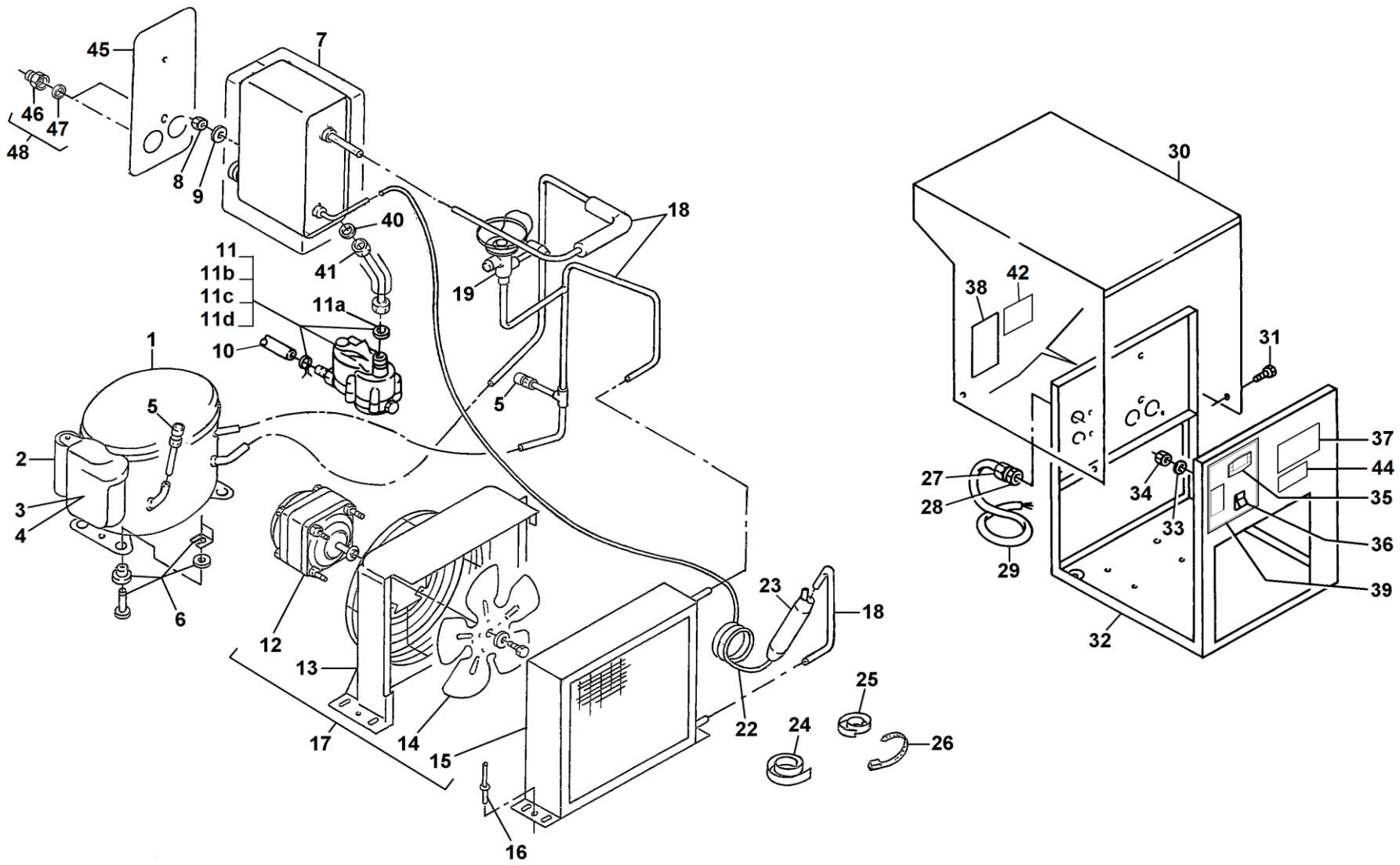


CATALOGO RICAMBI
 SPARES PARTS LIST
 CATALOGUE PIECES DETACHEES
 ERSATZTEILKATALOG
 CATÁLOGO DE PIEZAS DE RECAMBIO

APX 4 (E0) - APX 6 (E1) - APX 9 (E2) - APX 12 (E3) - APX 18 (E4)

ESSICCATORE D'ARIA
 AIR DRYER
 SECHEURS D'AIR
 LUFTTROKNER
 SECADOR DE AIRE

Tipo / Type / Type / Typ / Tipo	Codice / Code / Code / Kode /Codigo	V. Essiccatore / Dryer / Secheur / Trockner / Secador
APX 4 (E0)	4102005862	230/1/50
APX 6 (E1)	4102005863	230/1/50
APX 9 (E2)	4102005864	230/1/50
APX 12 (E3)	4102005865	230/1/50
APX 18 (E4)	4102005866	230/1/50



TAV. 1

TAV. 1													Essiccatore d'aria - Air dryer - Secheur d'air - Lufttrockner - Secador de aire								
			APX 4 (E0)			APX 6 (E1)			APX 9 (E2)			APX 12 (E3)			APX 18 (E4)						
Rif. N. Ref. No Nr. Réf. Bild Nr. Ref. N.	N. ordinaz. Part. num. Nr. Pièce Teil num. Codigo	Nota-Note-Note- Ann.-Nota	4102005862			4102005863				4102005864				4102005865			4102005866			DESCRIZIONE - DESCRIPTION - DESIGNATION - BESCHREIBUNG - DESIGNACION	
1	1624 9123 10		1																		COMPRESSOR
1	1624 9123 06					1															COMPRESSOR
1	1624 9123 16									1											COMPRESSOR
1	1624 9123 17													1							COMPRESSOR
1	2204 2002 15															1					COMPRESSOR
2	1617 1549 17		1			1				1											START CAPACITOR
2	1617 1549 22													1							START CAPACITOR
2	2204 2002 18															1					START CAPACITOR
3	1617 1551 67		1																		START RELAY
3	1617 1551 58					1															START RELAY
3	1617 1551 68									1											START RELAY
3	1617 1551 69													1							START RELAY
3	2204 2002 17															1					START RELAY
4	1617 1550 80		1																		OVERLOAD PROTECTOR
4	1617 1550 71					1															OVERLOAD PROTECTOR
4	1617 1550 82									1											OVERLOAD PROTECTOR
4	1617 1550 77													1							OVERLOAD PROTECTOR
4	2204 2002 16															1					OVERLOAD PROTECTOR
5	2200 5997 43		1			1				1				1		1					CHECK VALVE+PIPE
-	2202 8516 00		1			1				1				1		1					SCHRADER VALVE
-	2204 1638 01		1			1				1				1		1					PIN
6	2200 9026 81		1			1				1				1		1					SNUP-ON
7	2202 8922 81		1																		EXCHANGER
7	2202 8922 82					1															EXCHANGER
7	2202 8922 83									1											EXCHANGER
7	2202 8922 84													1							EXCHANGER
7	2202 8922 86															1					EXCHANGER
8	0266 2108 00		1			1				1				1		1					NUT
9	0300 0274 64		2			2				2				2		2					WASHER
10	0070 6002 90		1			1				1				1		1					PLASTIC TUBE
11	2204 2134 41		1			1				1				1		1					LDI DRAIN
11a	0663 9096 00		1			1				1				1		1					O-RING
11b	2200 9020 17		1			1				1				1		1					DRAIN WEAR KIT (CHANGE THE KIT EVERY 4000 HOURS)
11c	2902 0161 02		1			1				1				1		1					FILTER MESH (CHANGE THE FILTER EVERY 2000 HOURS)
11d	1630 2043 31		1			1				1				1		1					FLOATER
12	2202 7622 01		1			1				1				1		1					FAN MOTOR
13	2202 7621 01		1			1				1											PROTECTION
13	2202 7621 03													1		1					PROTECTION
14	2202 7623 01		1			1				1											FAN
14	2202 7623 02													1		1					FAN
15	2202 7620 01		1			1															CONDENSER COIL
15	2202 7620 02									1											CONDENSER COIL
15	2202 7620 03													1							CONDENSER COIL
15	2202 7620 04															1					CONDENSER COIL

TAV. 1												Essiccatore d'aria - Air dryer - Secheur d'air - Lufttrockner - Secador de aire	
		APX 4 (E0)		APX 6 (E1)		APX 9 (E2)		APX 12 (E3)		APX 18 (E4)			
Rif. N. Ref. No Nr. Réf. Bild Nr. Ref. N.	N. ordinaz. Part. num. Nr. Pièce Teil num. Codigo	Nota-Note-Note- Ann.-Nota	4102005862		4102005863		4102005864		4102005865		4102005866		DESCRIZIONE - DESCRIPTION - DESIGNATION - BESCHREIBUNG - DESIGNACION
16	0129 3270 42		2		2		2		2		2		BLIND RIVET
17	2202 7498 81		1		1								ASS. CONDENSER
17	2202 7498 84						1						ASS. CONDENSER
17	2202 7512 81							1					ASS. CONDENSER
17	2202 7512 89									1			ASS. CONDENSER
18	2202 8885 81		1		1		1						ASS. PIPE
18	2202 9091 81							1					ASS. PIPE
18	2203 0178 80									1			ASS. PIPE
19	2202 7324 04		1		1		1		1		1		BY-PASS VALVE
22	2202 7584 01		1										CAPILLARY TUBE
22	2202 7584 02				1								CAPILLARY TUBE
22	2202 7584 03						1						CAPILLARY TUBE
22	2202 7584 04							1					CAPILLARY TUBE
22	2202 7584 05									1			CAPILLARY TUBE
23	2202 7569 02		1		1		1						FILTER-DRYER
23	2202 7569 04							1			1		FILTER-DRYER
24	2202 7587 01		X		X		X		X		X		TAPE (IN METERS)
25	0017 9862 67		X		X		X		X		X		TAPE (IN METERS)
26	0348 0101 20		6		6		6		6		6		CABLE TIE
27	0698 5141 21		1		1		1		1		1		CABLE GLAND
28	0697 9809 53		1		1		1		1		1		NUT
29	9828 4236 01		1		1		1						WIRE HARNESS
29	9828 4236 11							1			1		WIRE HARNESS
30	2202 7496 01		1		1		1		1		1		COVER
31	2200 7199 53		1		1		1		1		1		SCREW
32	2203 0248 81		1		1		1						FRAME
32	2202 9758 81							1			1		FRAME
33	0333 4220 00		2		2		2		2		2		WASHER
34	0266 2108 00		1		1		1		1		1		NUT
35	2200 9028 17		1		1		1						KIT DIGITAL CONTROLLER
35	2200 9028 26							1			1		KIT DIGITAL CONTROLLER
36	1624 2217 00		1		1		1		1		1		POWER SWITCH
37	2202 7947 01		1					1			1		LABEL
37	2202 7947 02				1								LABEL
37	2202 7947 03						1						LABEL
37	2202 7947 04							1					LABEL
37	2202 7947 05										1		LABEL
38	1079 9926 55		1		1		1		1		1		LABEL
39	2203 0764 01		1		1		1		1		1		LABEL INSTRUCTION
40	2202 8924 00		1		1		1		1		1		GASKET
41	2202 8895 01		1		1		1		1		1		PIPE
44	2204 2156 01		1		1		1		1		1		LABEL
45	2202 8930 00		1		1		1		1		1		INSULATION SET
46	2202 7703 01		2		2		2		2		2		PIPE FITTING
47	2202 7719 01		2		2		2		2		2		WASHER
48	2202 7703 81		1		1		1		1		1		PIPE FITTING KIT

