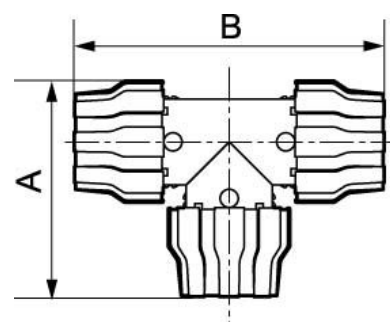




Tee coupling 40 mm female

9PPSTE40



Product details

SKU	9PPSTE40
EAN 13	3660058242691
Length (mm)	192
Width (mm)	122
Diameter (mm)	40
Weight (netto) (kg)	0.590000
Construction (material)	Aluminum
Maximum pressure (bar)	13 at 40°C

